

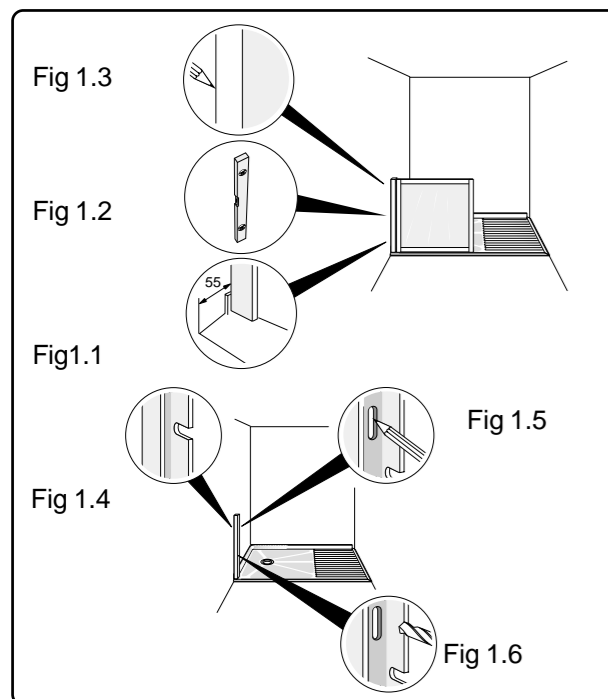
8 easy steps to fit a ... Impressions collection S655/S760 In-line Enclosure

Note: These instructions apply to both half height and full height jamb panels

1. Marking the wall

Position jamb approximately 55mm from the edge, as Fig 1.1. Make sure it is vertical as Fig 1.2 and mark the wall alongside the wall channel as Fig 1.3

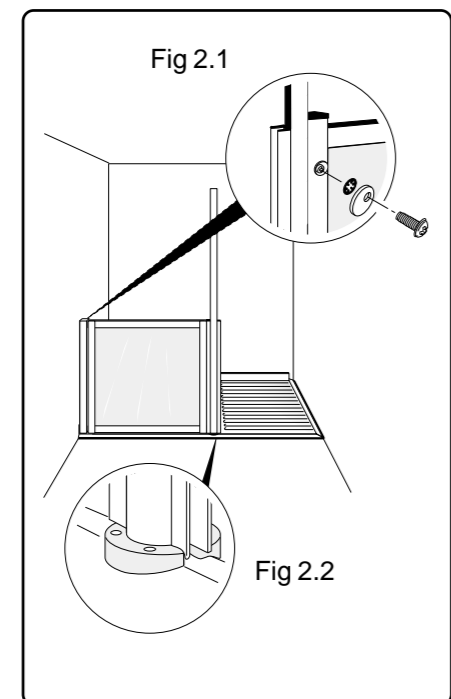
Note:
Pole supplied separately.



2. Drilling the wall and fixing jamb panel

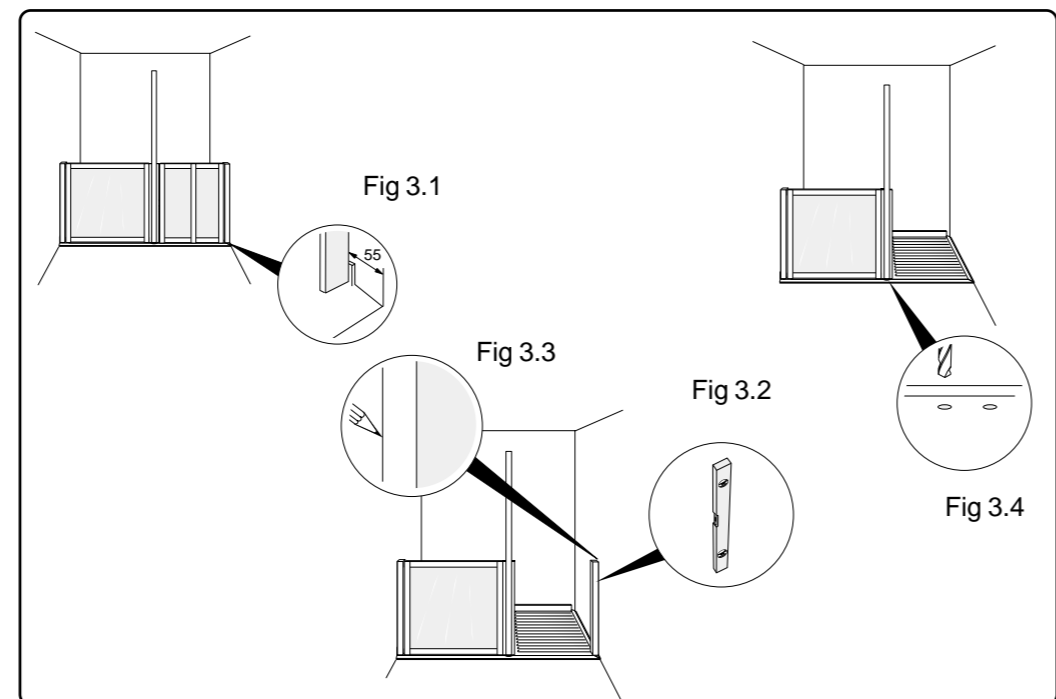
Remove channel from jamb and place on wall as Fig 1.4. Using a pencil mark through the slots (slots should be on the inside) and drill the wall 50mm deep (2") using a 5.5mm drill, as Fig 1.5 & 1.6. Apply a film of silicone sealant to the inside edge of the wall channel.

Secure to wall with wall plugs and 1 1/2" x No 8 screws. Push panel into wall channel. Fasten loosely with self tapping screws, slot covers and shakeproof washers provided as Fig 2.1. Repeat with pole section ensuring fixing plate is in position as Fig 2.2. Check panel is level horizontally and vertically. Screws are fully tightened later. The pole fixing plate is also screwed in position later.



3. Fixing slide and fold doors

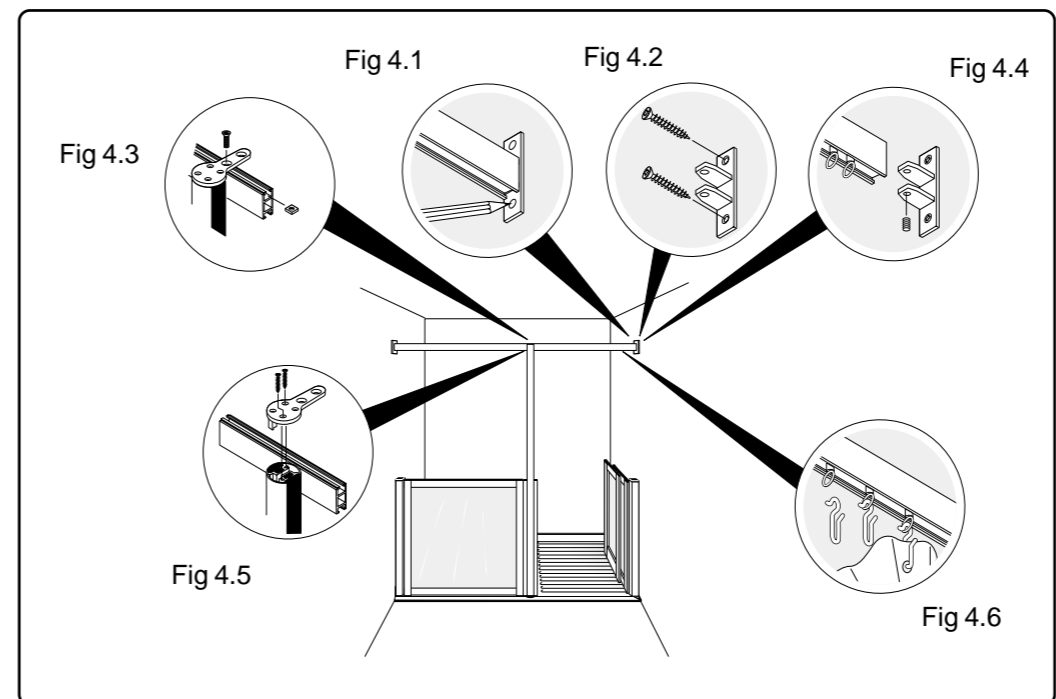
Place doors in a closed position across the front of the tray approximately 55mm from the edge as Fig 3.1. Make sure it is vertical and mark the wall alongside the wall channel as Figs 3.2/3.3. Remove doors and slide off wall channel. Secure to wall as in step 2. When satisfied that doors are correctly adjusted fully tighten all screws, slot covers and shakeproof washers, Drill and fix pole fixing plate to tray with cheesehead screws provided, as Fig 3.4.



4. Fit curtain rail brackets and curtain

Position curtain rail at height to connect to bracket at top of grab pole. Check level & mark walls for fixing wall brackets, as Fig 4.1. Drill wall with 5.5mm drill to a depth of 2" (50mm). Fix curtain rail brackets to wall with plugs and 1 1/2" x No 8 screws, as Fig 4.2. Load hooks and glides into bottom channel of curtain rail. Place 1 M5 nut in top channel of curtain rail as Fig 4.3. Attach to brackets and tighten with the allen key provided, as Fig 4.4. **Note:** Attach short rail when using straight curtain rail option, as Fig 4.5.

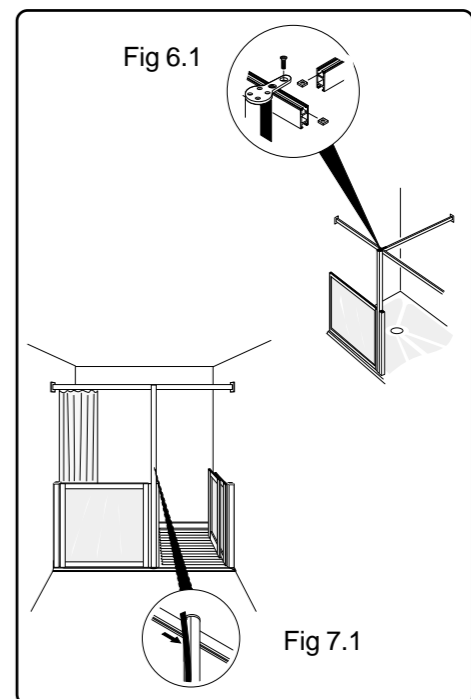
Using 3/4" x 6's stainless steel screws secure pole bracket to top of pole rail, as Fig 4.5. Check pole is vertical. Using M5 X 10mm stainless steel bolt attach to curtain rail with nut already in place, as Fig 4.3. Attach shower curtain to hooks on rail, as Fig 4.6.



6. Fit brace rail (half height panel*)

Position brace at height to connect to pole bracket. Check level & mark walls for fixing brace, as Fig 4.1. Drill wall with 5.5mm drill to a depth of 2" (50mm). Fix bracket to wall with plugs and 1 1/2" x No 8 screws, as Fig 4.2. Place 1 M5 nut in top channel of curtain rail as Fig 6.1. Attach to brackets and tighten with the allen key provided, as Fig 4.4.

***Note: For full height panel:** Fit plate to ceiling using fixings supplied. Pole can be cut to length to suit ceiling height. Use screw/nut fixing to connect to ceiling plate profile. Finally fix plastic covering to conceal.



7. Fit channel covers/final fix

Note: Not applicable if using full height panel. Insert the two black channel covers as Fig 7.1. Check enclosure is square and vertical. Check door opens and closes correctly. Re-adjust locking screws if necessary.

Note: There are 2 small holes on each upright section (between top and bottom slots). Using drill provided drill through inner section and secure with stainless steel pan head screw provided.

If you require additional help

6 Wedgwood Road Bicester Oxon OX26 4UL
Tel: 01869 246470 Fax: 01869 247214

Northern Ireland
5 Balloo Way, Balloo Industrial Estate, Bangor,
Co Down BT19 7QZ
Tel: 028 9145 0497 Fax: 028 9127 0046

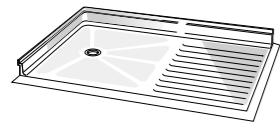
Scottish Office
Unit 16 Evans Business Centre
68-74 Queen Elizabeth Avenue
Hillington Industrial Estate Glasgow G52 4NQ
Tel: 01869 246470 Fax: 01869 365588



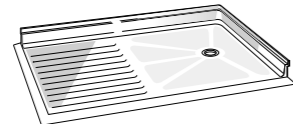
7 easy steps to fit a ...Impressions collection S655/S760 Tray

Installation Notes:

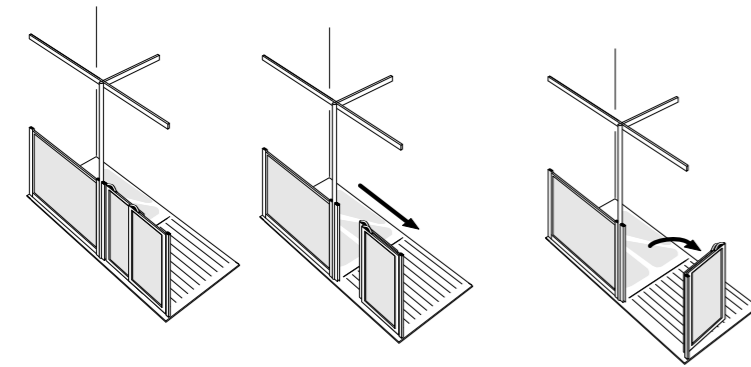
Safety Note: Please wear protective gloves when handling trays.
 Consult your client for the position /height of the shower mixer valve/heater and install inlet water and/or electrical services.
 During assembly protect shower base from scuffing using a piece of cardboard.
 Wear eye protectors when trimming tray.



Left Handed Impressions Collection S655/S760



Right Handed Impressions Collection S655/S760



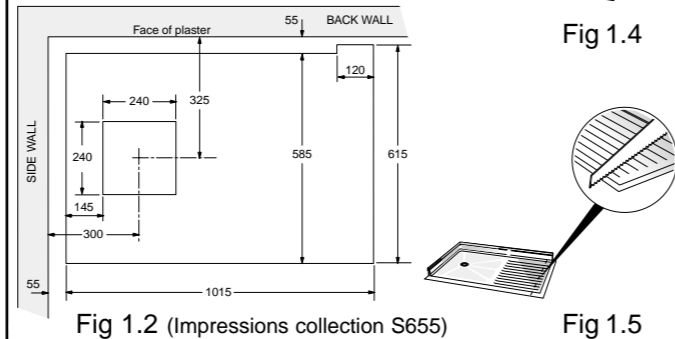
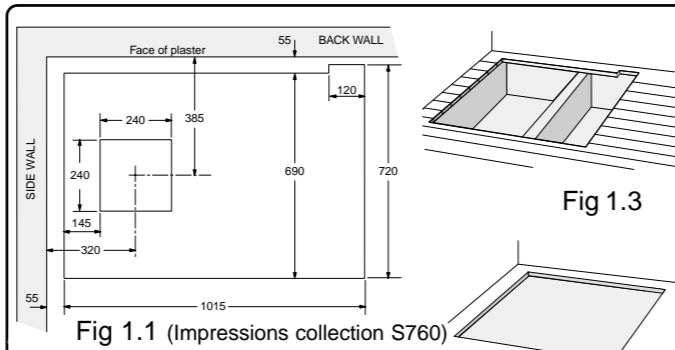
1. Floor removal

Preparing a wooden floor

Mark dimensions (from face of plaster) as Fig 1.1 (Fig 1.2 for narrow S655). Cut out floorboards as Fig 1.3. Trim any obstructions such as floor joists in area around waste trap and pipe.

Preparing a concrete floor

Break out screed or concrete to 20mm (3/4") depth to dimensions shown in Figs 1.1/1.2. You will also need to remove an area to a depth of 95mm x 125mm diameter to take the waste trap. Use a jigsaw or handpoint saw to trim excess tray length to length required, as Fig 1.5. ***See footnote re: flexing of tray.**



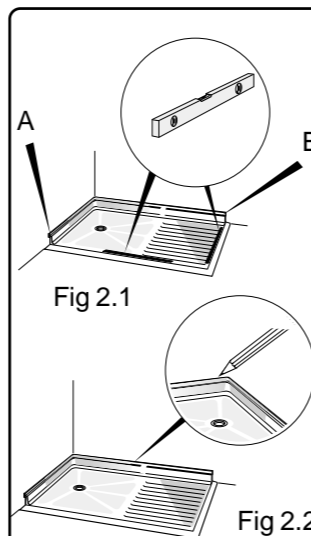
2. Marking plaster

Place the shower tray into the corner and ensure that the shower base is level along its width and length, as Fig 2.1.

Mark the plaster above the tiling lip, as Fig 2.2 and door recess point and take the tray away.

Important:

Tiles at A and B must be level and vertical to the tray to take the wall channels.



3. Remove plaster / waste connection

Remove the plaster below the mark you just made to a depth suitable to take the tiling lip, as Fig 3.1.

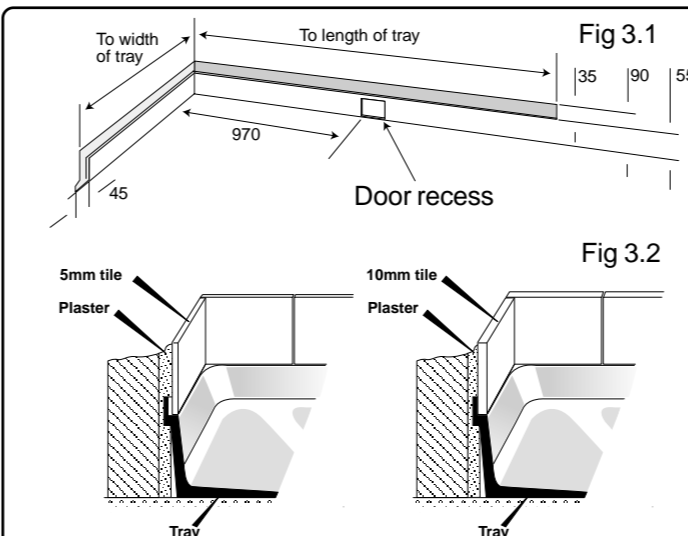
This will vary according to the thickness of the tile to be used, as Fig 3.2.

Remove a small area of plaster to fit door recess point as Fig 3.1.

Decide on direction of waste outlet and break out wall if required, as Fig 4.1.

If it is a solid floor, break out a channel to take the waste pipe to the stack.

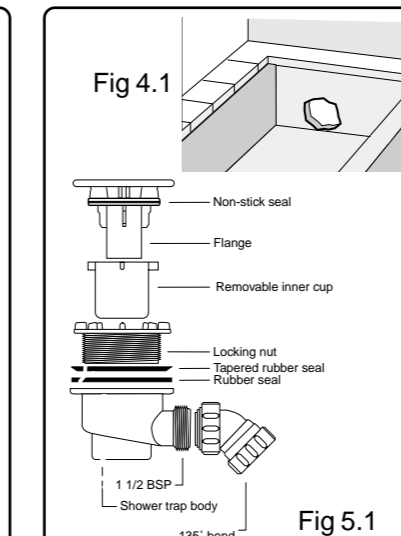
NOTE: Always ensure there is adequate fall of waste pipe to stack.



4. Checking level

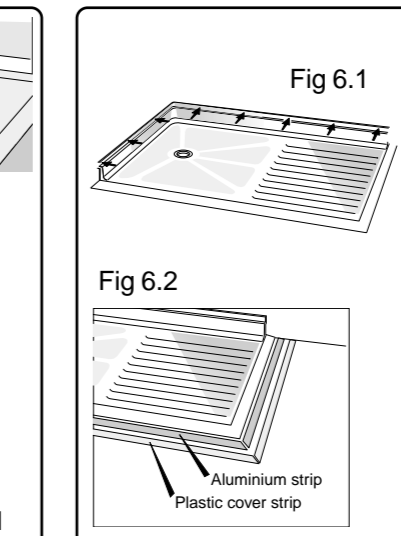
Replace the shower tray in position. Check level as Fig 2.1. Insert packing strips to level if required.

Assemble waste trap as shown in Fig 5.1. Coat trap body and underside of shower base above and below seal with silicone sealant. Connect waste pipe to stack outlet ready for final fixing of shower tray. Drill and countersink the outer edges of the tiling lip at the points shown in Fig 6.1. Mark and plug the walls.



5. Final tray fixing

Always ensure the showerbase edges are flat and level before fixing. Fix outer edges of tiling lips securely with 1 1/2" x 8 Pozi-Drive zinc plated countersunk screws provided.

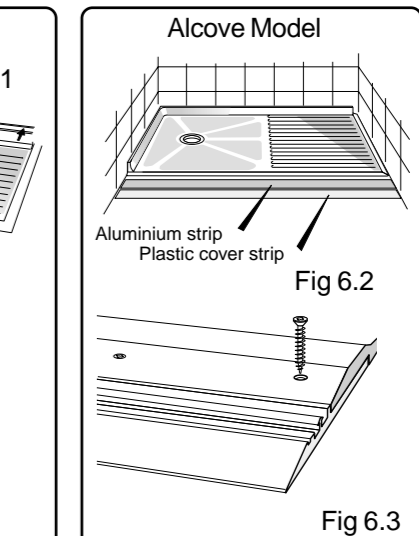


6. Making good

Cut to length or mitre aluminium edging strip as Fig 6.2 (as appropriate) using a hacksaw. **NOTE:** Aluminium strip must butt up to edge of tray as shown in Fig 6.3.

Drill and countersink front edge of tray and aluminium edging strip. White cover strip should be fitted after floor covering has been laid. Check to make sure the tray is level before final fixing.

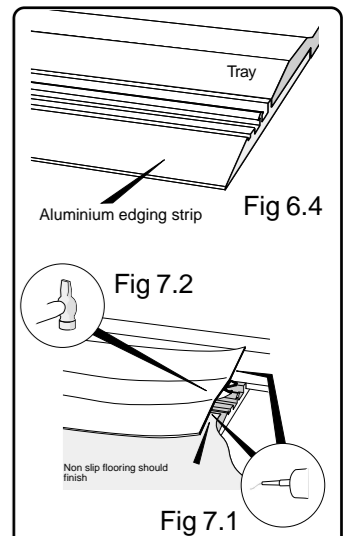
NOTE: Only use the short edge when the tray has not been cut to length to fit between two walls.



7. Before tiling

Ensure any plumbing and electrical work has been completed. Make good plaster work. Tile down to the angle of the tiling lip using waterproof adhesive and grout.

Anti-slip flooring should finish over the aluminium edging strip as Fig 6.4. Apply a bead of mastic to tray edge and edging strip as shown in Fig 7.1. Finally knock the plastic trim cover into place, taking care to lock the components together as Fig 7.2.



*Note: To take up the space underneath the tray (to stop it from flexing) set the tray (showering area only) on a 3:1 dry sand and cement mix. Place tray on top for imprint, remove and position drain. Sprinkle surface with water, place tray on top and hold until secure. Always ensure the tray is level, as shown in Fig 2.1.

Copyright © Chiltern Invadex Ltd. The design of the product shown in this installation guide is vested in Chiltern Invadex Ltd and should not be copied or reproduced in any way whatsoever without the express permission of Chiltern Invadex Ltd. This is an original design of Chiltern Invadex Ltd in which Design Right Subsists. Published by Chiltern Invadex Ltd 6 Wedgwood Road Bicester Oxon OX26 4UL Registered in England No: 1182024. In Northern Ireland: Chiltern Invadex (NI) Ltd, 5 Balloo Way, Balloo Industrial Estate, Bangor, County Down BT19 7QZ Registered No: NI 19958. CINV 482.01 07/06